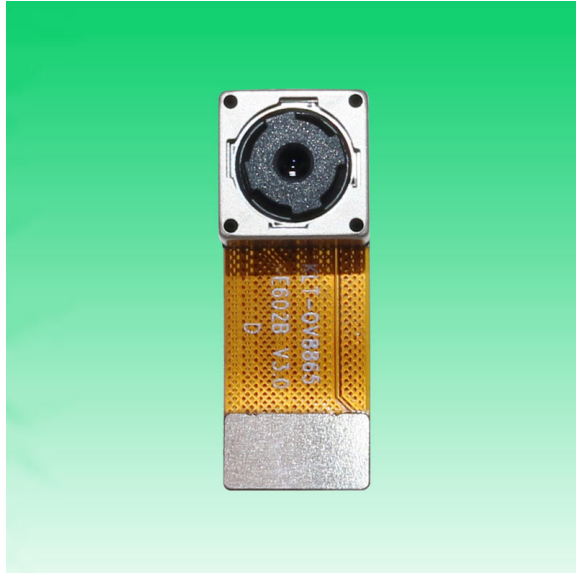


## KLT-OV8865-E602B V3.0

8MP OmniVision OV8865 MIPI-Schnittstelle Autofokus Kameramodul



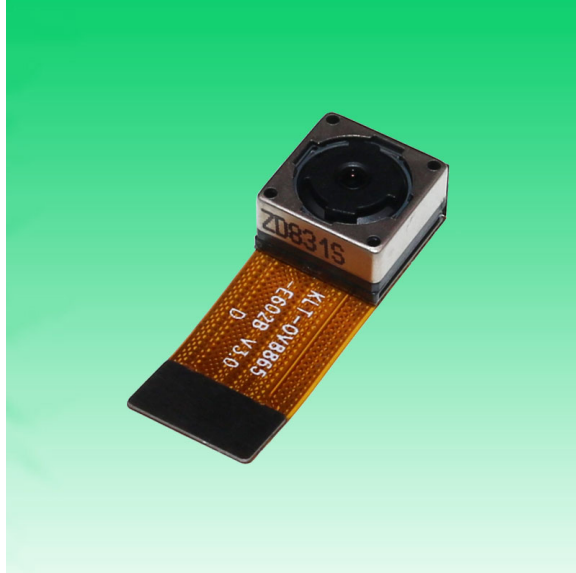
Vorderansicht



Rückansicht

### Spezifikationen

|                                 |                                     |
|---------------------------------|-------------------------------------|
| <b>Kameramodul Nr.</b>          | <b>KLT-OV8865-E602B V3.0</b>        |
| <b>Auflösung</b>                | 8MP                                 |
| <b>Bildsensor</b>               | OV8865                              |
| <b>Sensorart</b>                | 1/3.2"                              |
| <b>Pixel Größe</b>              | 1.4 um x 1.4 um                     |
| <b>EFL</b>                      | 3.85 mm                             |
| <b>F.NO</b>                     | 2.20                                |
| <b>Pixel</b>                    | 3264 x 2448                         |
| <b>Betrachtungswinkel</b>       | 72.9°(DFOV) 61.1°(HFOV) 47.9°(VFOV) |
| <b>Linsenabmessungen</b>        | 8.50 x 8.50 x 5.60 mm               |
| <b>Modulgröße</b>               | 22.52 x 8.50 mm                     |
| <b>Modultyp</b>                 | Autofokus                           |
| <b>Schnittstelle</b>            | MIPI                                |
| <b>Autofokus-VCM-Treiber-IC</b> | DW9714P                             |
| <b>Linsenmodell</b>             | KLT-LENS-50008A1                    |
| <b>Linsentyp</b>                | 650 nm IR-Schnitt                   |
| <b>Betriebstemperatur</b>       | -30°C to +85°C                      |
| <b>Gegenstecker</b>             | AXT524124                           |

**KLT-OV8865-E602B V3.0****8MP OmniVision OV8865 MIPI-Schnittstelle Autofokus Kameramodul**

Ansicht von oben



Seitenansicht



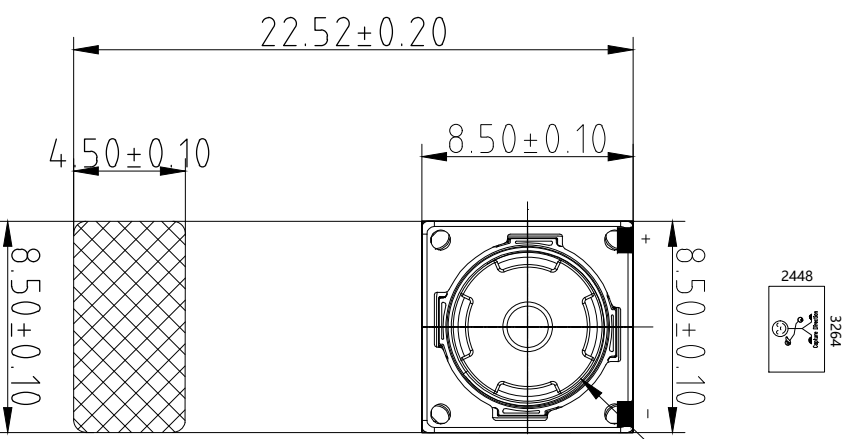
Untersicht



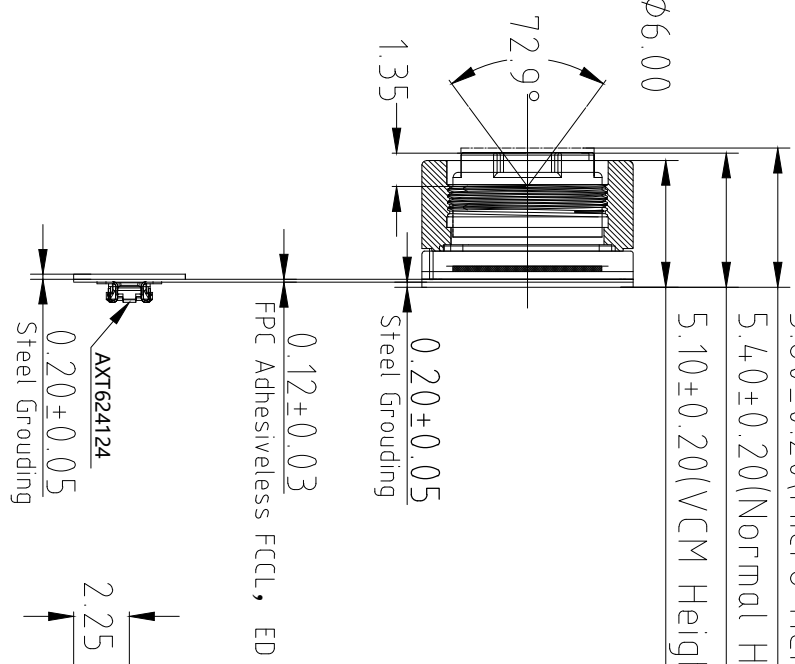
Gegenstecker

| Version | Information   | Date      |
|---------|---------------|-----------|
| V2.0    | First Version | 2-22-2021 |
| V3.0    | Add pin SID   | 5-6-2021  |

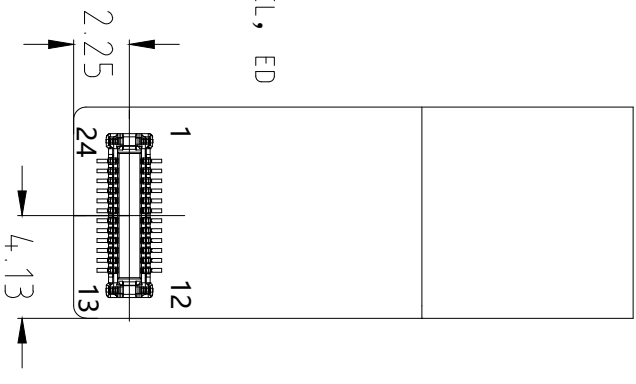
| NO. | SIGNAL     |
|-----|------------|
| 1   | GND        |
| 2   | MDN1       |
| 3   | MDP1       |
| 4   | GND        |
| 5   | MCN        |
| 6   | MCP        |
| 7   | GND        |
| 8   | MDN0       |
| 9   | MDP0       |
| 10  | GND        |
| 11  | AVDD 2.8V  |
| 12  | GND        |
| 13  | MCLK       |
| 14  | GND        |
| 15  | DOVDD 1.8V |
| 16  | PWDN       |
| 17  | SDA        |
| 18  | SCL        |
| 19  | RESET      |
| 20  | GND        |
| 21  | DVDD 1.2V  |
| 22  | AFVDD 2.8V |
| 23  | SID        |
| 24  | NC         |



TOP VIEW



SIDE VIEW



BOTTOM VIEW

NOTE:  
1. Sensor I2C slave address:  
0x6C If SID=0, or 0x20 If SID=1

Parameter:

1、Sensor specification:

Image Sensor: OV8865  
Pixel: 1.4umx1.4um  
Lens Type: 1/3.2  
Important Voltage Description: DVDD1.2V (external power supply);

2、Lens specification:

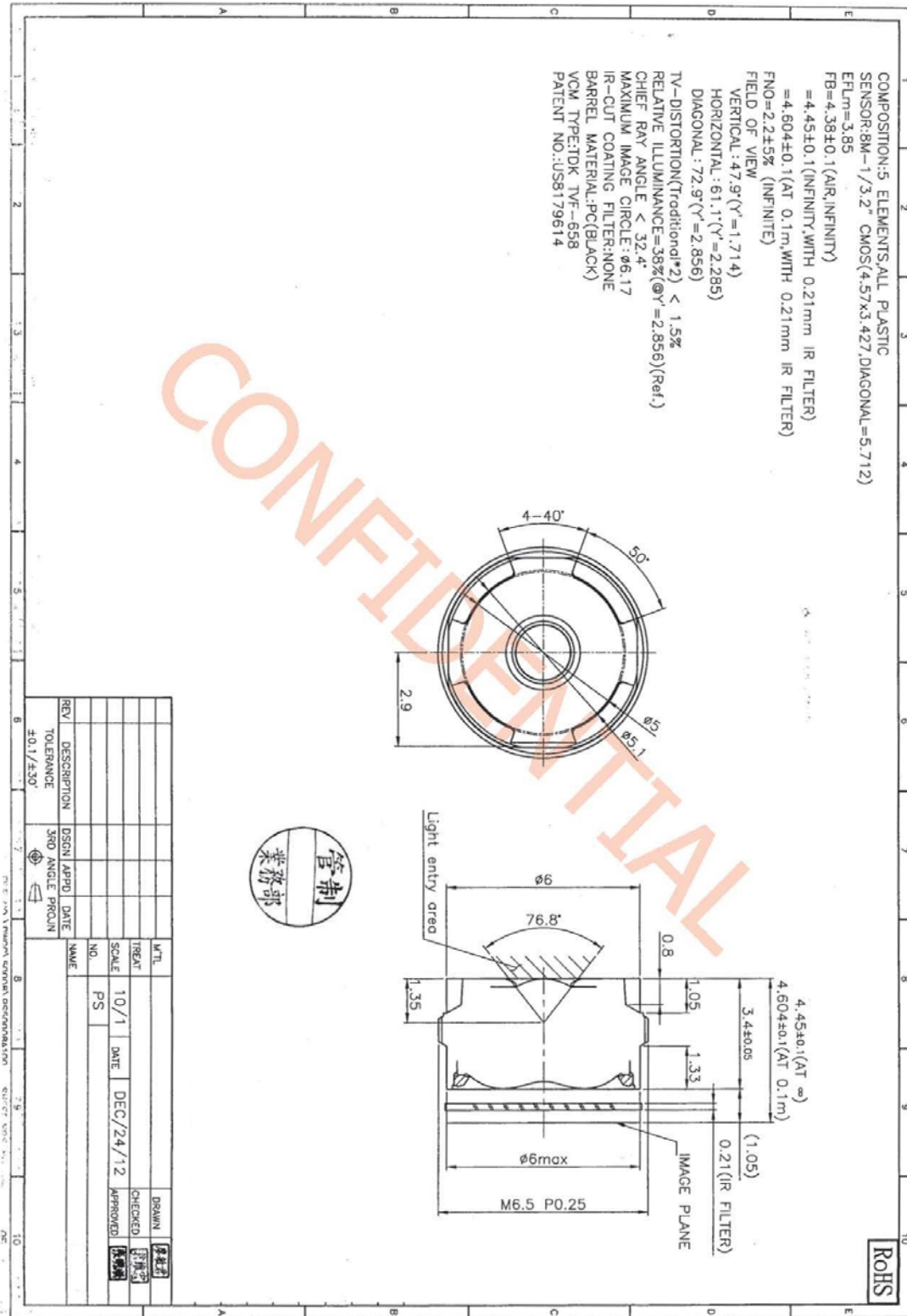
FOV: 72.9°(D);61.1°(H);47.9°(V);  
F/NO.: 2.2  
TV distortion: <1.5%  
Focal length: 3.85mm  
Composition: 5P+IR FILTER  
IR Cut Coating: 650nm±10nm@50%

Kai Lap Technologies Group Ltd

|             |           |                  |                       |                 |
|-------------|-----------|------------------|-----------------------|-----------------|
| Designed By | Kevin     | Model Name:      | KLT-OV8865-E602B V3.0 |                 |
| Checked By  | Aouly_Yan | Projection Type: | Unit: mm              | Material: ----- |
|             |           | Third Angle      | Scale: 1:1            | Sheet: 1 of 1   |
|             |           |                  |                       | Version: 1/0    |



Lens Model: KLT-LENS-5008A1



**FEATURES**

- 120mA output driver with 10-bit resolution DAC
- Smart Actuator Control (SAC™) modes
- Supply voltage ( $V_{DD}$ ): 2.3V to 4.3V
- I/O voltage ( $V_{IN}$ ): 1.8V to  $V_{DD}$
- Fast mode and Fast mode plus I<sup>2</sup>C interface compatible
- Power On Reset (POR)
- Power Down (PD) mode current consumption less than 1uA
- Package: 6-pin WLCSP (0.77mm x 1.14mm x 0.30mm)

**APPLICATIONS**

- Mobile camera
- Digital still camera
- Camcorder
- Web camera
- Action camera

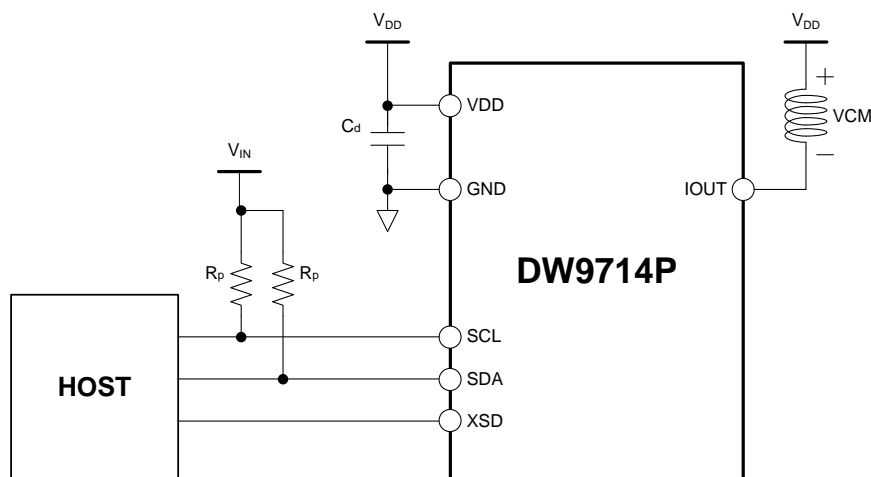
**GENERAL DESCRIPTION**

The DW9714P designed for linear control of Voice Coil Motors (VCM). This device is compatible with DW9714. The DW9714P has a single 10-bit DAC with 120mA output current sink capability. This device features SAC™ mode which can minimize the mechanical vibration and achieve very fast mechanical settling time. The SAC™ is protected by patent and registered trademark of DONGWOON ANATECH.

The DW9714P operates from a single 2.3V to 4.3V supply. The internal DAC is controlled via an I<sup>2</sup>C serial interface that operates at clock rate up to 1MHz. The I<sup>2</sup>C address for the DW9714P is 0x18. The DW9714P offers PD mode with current consumption less than 1uA.

The DW9714P can be used for auto focus applications in mobile cameras, digital still cameras, camcorders, web cameras and action cameras.

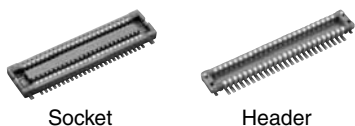
**TYPICAL APPLICATION CIRCUIT**



*Figure 1. Typical application circuit*

## NARROW-PITCH, THIN AND SLIM CONNECTOR FOR BOARD-TO-FPC CONNECTION

## NARROW PITCH (0.4 mm) CONNECTORS F4S SERIES



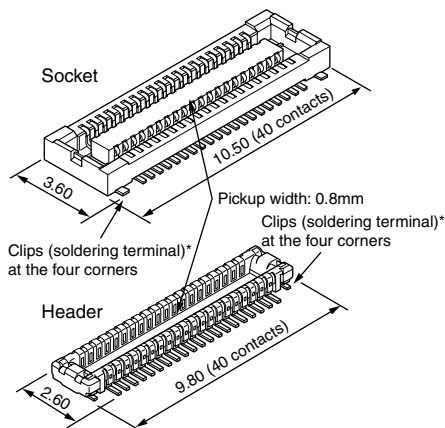
Compliance with RoHS Directive

### FEATURES

**1. Space-saving (3.6 mm widthwise)**  
The required space is smaller than our F4 series (40-contact type):

- Socket — 27% smaller,
- Header — 38% smaller

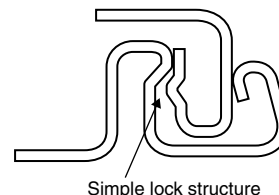
The small size contributes to the miniaturization of target equipment.



\* Clips for preventing the solder joints from being removed

**2. Highly reliable**  
**TOUGH CONTACT** has strong resistance to adverse environments.  
(See Page 6 for details of the structure)  
Note: If extra resistance to shock caused by dropping is required, we recommend using our previous F4 Series.

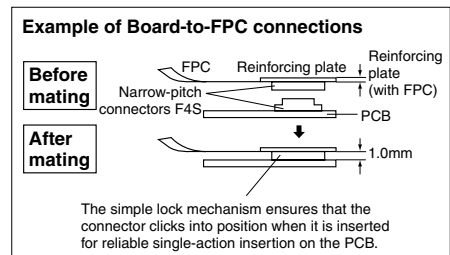
**3. The simple lock structure gives tactile feedback that ensures a superior mating/unmating operation feel.**



**4. Gull-wing type terminals**  
The gull-wing type terminals facilitate automatic mounting inspections.  
**5. Connectors for inspection available**  
Connectors for inspection are available that are ideal for modular unit inspection and inspection in device assembly processes.

### APPLICATIONS

Compact portable devices “Cellular phones, DVC, Digital cameras, etc”



### ORDERING INFORMATION

AXT       **4**

5: Narrow Pitch Connector F4S (0.4 mm pitch) Socket  
6: Narrow Pitch Connector F4S (0.4 mm pitch) Header

Number of contacts (2 digits)

Mated height  
<Socket>

- 1: For mated height 1.0 mm
- 2: For mated height 1.2 mm

<Header>

- 1: For mated height 1.0 mm
- 2: For mated height 1.2 mm

Functions

<Socket, Header>

- 2: Without positioning bosses

Surface treatment (Contact portion / Terminal portion)

<Socket>

- 4: Base: Ni plating Surface: Au plating (for Ni barrier available)

<Header>

- 4: Base: Ni plating Surface: Au plating

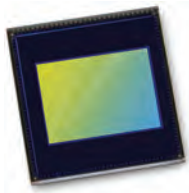
Note: Please note that models with a mated height of 1.0 mm (7th digit of part number is “1”) and 1.2 mm (7th digit of part number is “2”) are not compatible.

# AXT5, 6

## PRODUCT TYPES

| Mated height | Number of contacts | Part number |           | Packing      |              |
|--------------|--------------------|-------------|-----------|--------------|--------------|
|              |                    | Socket      | Header    | Inner carton | Outer carton |
| 1.0mm        | 10                 | AXT510124   | AXT610124 | 3,000 pieces | 6,000 pieces |
|              | 12                 | AXT512124   | AXT612124 |              |              |
|              | 14                 | AXT514124   | AXT614124 |              |              |
|              | 16                 | AXT516124   | AXT616124 |              |              |
|              | 18                 | AXT518124   | AXT618124 |              |              |
|              | 20                 | AXT520124   | AXT620124 |              |              |
|              | 22                 | AXT522124   | AXT622124 |              |              |
|              | 24                 | AXT524124   | AXT624124 |              |              |
|              | 26                 | AXT526124   | AXT626124 |              |              |
|              | 28                 | AXT528124   | AXT628124 |              |              |
|              | 30                 | AXT530124   | AXT630124 |              |              |
|              | 32                 | AXT532124   | AXT632124 |              |              |
|              | 34                 | AXT534124   | AXT634124 |              |              |
|              | 36                 | AXT536124   | AXT636124 |              |              |
|              | 38                 | AXT538124   | AXT638124 |              |              |
|              | 40                 | AXT540124   | AXT640124 |              |              |
|              | 42                 | AXT542124   | AXT642124 |              |              |
|              | 44                 | AXT544124   | AXT644124 |              |              |
|              | 46                 | AXT546124   | AXT646124 |              |              |
|              | 48                 | AXT548124   | AXT648124 |              |              |
| 50           | AXT550124          | AXT650124   |           |              |              |
| 54           | AXT554124          | AXT654124   |           |              |              |
| 60           | AXT560124          | AXT660124   |           |              |              |
| 64           | AXT564124          | AXT664124   |           |              |              |
| 70           | AXT570124          | AXT670124   |           |              |              |
| 80           | AXT580124          | AXT680124   |           |              |              |
| 1.2mm        | 10                 | AXT510224   | AXT610224 |              |              |
|              | 30                 | AXT530224   | AXT630224 |              |              |
|              | 40                 | AXT540224   | AXT640224 |              |              |
|              | 50                 | AXT550224   | AXT650224 |              |              |
|              | 80                 | AXT580224   | AXT680224 |              |              |

- Notes: 1. Order unit: For mass production: in 1-inner-box (1-reel) units  
 Samples for mounting check: in 50-connector units. Please contact our sales office.  
 Samples: Small lot orders are possible. Please contact our sales office.
2. The above part numbers are for connectors without positioning bosses, which are standard. When ordering connectors with positioning bosses, please contact our sales office.
3. Please contact us for connectors having a number of contacts other than those listed above.



# OV8865 8MP product brief



## High-Performance, Low-Power 8-Megapixel Image Sensor for Mainstream Smartphones and Tablets



available in  
a lead-free  
package

OmniVision's OV8865 is a low-power high-performance 8-megapixel camera solution for mainstream smartphones and tablets. Utilizing an improved 1.4-micron OmniBSI-2™ pixel, the OV8865 delivers best-in-class pixel performance in a smaller, more power efficient package compared to the previous generation OV8835 sensor.

The OV8865 offers a number of performance improvements including a five percent improvement in dynamic range and a 50 percent reduction in dark current, resulting in superior high- and low-light images. Furthermore, the OV8865 consumes considerably less power than the OV8835, achieving the sub 200 mW benchmark preferred by high-end mobile device manufacturers.

The 1/3.2-inch OV8865 supports an active array of 3264 x 2448 (8-megapixels) operating at 30 frames per second (fps) for high-speed photography. The sensor is also capable of capturing 1080p high-definition (HD) video at 30 fps or 720p at 60 fps.

The OV8865 fits into an industry standard 8.5 x 8.5 x 5 mm package.

Find out more at [www.ovt.com](http://www.ovt.com).



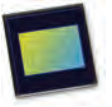
## Applications

- Cellular Phones
- Tablets
- PC Multimedia

## Product Features

- automatic black level calibration (ABLC)
- programmable controls for frame rate, mirror and flip, cropping, and windowing
- static defective pixel canceling
- supports output formats: 10-bit RAW RGB (MIPI)
- supports horizontal and vertical subsampling
- supports images sizes: 3264x2448, 3264x1836, 2816x1584, 1632x1224, 1408x792
- supports 2x2 binning, re-sampling filter
- standard serial SCCB interface
- up to 4-lane MIPI serial output interface
- embedded 1536 bytes one-time programmable (OTP) memory for part identification, etc.
- two on-chip phase lock loops (PLLs)
- programmable I/O drive capability
- built-in temperature sensor

# OV8865



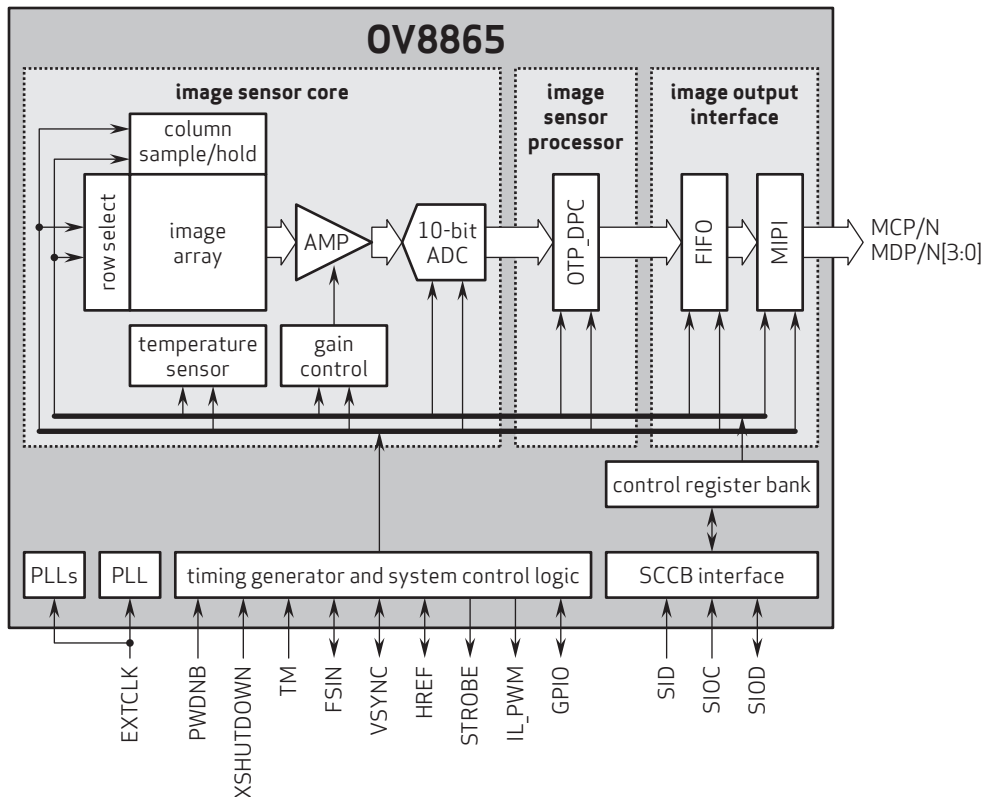
## Ordering Information

- OV8865-G04A-1D**  
(color, chip probing, 200  $\mu\text{m}$  backgrinding, reconstructed wafer with good die)

## Product Specifications

- active array size:** 3264 x 2448
- input clock frequency:** 6 - 27 MHz
- power supply:**
  - core: 1.2V
  - analog: 2.8V
  - I/O: 1.8V, 2.8V
- max S/N ratio:** 36.7 dB
- dynamic range:** 68.8 dB
- maximum image transfer rate:** 30 fps
- power requirements:**
  - active: 196 mW (full resolution @ 30 fps)
  - XSHUTDOWN: 5  $\mu\text{W}$
- temperature range:**
  - operating: -30°C to +85°C junction temperature
  - stable image: 0°C to +60°C junction temperature
- sensitivity:** 940 mV/lux-sec
- scan mode:** progressive
- pixel size:** 1.4  $\mu\text{m}$  x 1.4  $\mu\text{m}$
- dark current:** 20 e<sup>-</sup>/sec @ 60°C junction temperature
- output formats:** 10-bit RAW RGB data
- image area:** 4614.4  $\mu\text{m}$  x 3472  $\mu\text{m}$
- die dimensions:** 5850  $\mu\text{m}$  x 5700  $\mu\text{m}$
- lens size:** 1/3.2"
- lens chief ray angle:** 32.2° non-linear

## Functional Block Diagram



4275 Burton Drive  
Santa Clara, CA 95054  
USA

Tel: + 1 408 567 3000  
Fax: + 1 408 567 3001  
www.ovt.com

OmniVision reserves the right to make changes to their products or to discontinue any product or service without further notice. OmniVision and VarioPixel are registered trademarks of OmniVision Technologies, Inc. The OmniVision logo and OmniBSI are trademarks of OmniVision Technologies, Inc. All other trademarks are the property of their respective owners.



OmniVision



Kameraanwendungen

*your BEST camera module partner*



Autopilot



Live-Streaming



Videokonferenz



Biometrische Eye-Tracker-Erkennung



Maschinelles Sehen



Agrarmonitor



Nachtsichtsicherheit



Drohnen- und Sport-Adleraugen



Interaktive Haustierkamera

[www.KaiLapTech.com](http://www.KaiLapTech.com) [sales@KaiLapTech.com](mailto:sales@KaiLapTech.com) Tel: (852) 6908 1256 Fax: (852) 3017 6778



*your BEST camera module partner*

## Kameraanwendungen



### IMAGING DEVICES





Referenztable für die Pinbelegungsdefinition des Kameramoduls

| OmniVision Sony Himax Samsung On-Semi Aptina Himax GalaxyCore PixArt Bildsensoren |   |
|---|---|
| Pin Signal  | Beschreibung  |
| DGND GND  | Masse für digitale Schaltung                            |
| AGND  | Masse für analoge Schaltung                             |
| PCLK DCK  | DVP-PCLK-Ausgang  |
| XCLR PWDN XSHUTDOWN STANDBY   | Abschalten aktiv hoch mit internem Pulldown-Widerstand  |
| MCLK XVCLK XCLK INCK  | Systemeingangsuhr                                       |
| RESET RST   | Aktiv Low mit internem Pull-up-Widerstand zurücksetzen  |
| NC NULL   | keine Verbindung  |
| SDA SIO_D SIOD  | SCCB-Daten  |
| SCL SIO_C SOIC  | SCCB-Eingangstakt                                       |
| VSYNC XVS FSYNC   | DVP-VSYNC-Ausgang                                       |
| HREF XHS  | DVP-HREF-Ausgang  |
| DOVDD   | Strom für E/A-Schaltung                                 |
| AFVDD   | Strom für VCM-Schaltung                                 |
| AVDD  | Strom für analoge Schaltung                             |
| DVDD  | Strom für digitale Schaltung                            |
| STROBE FSTROBE  | Strobe-Ausgang  |
| FSIN  | Synchronisieren Sie das VSYNC-Signal vom anderen Sensor |
| SID   | SCCB letzte Bit-ID-Eingabe                              |
| ILPWM   | mechanische Shutter-Ausgangsanzeige                     |
| FREX  | Rahmenbelichtung / mechanischer Verschluss              |
| GPIO  | Allzweckeingänge  |
| SLASEL  | I2C-Slave-Adresse auswählen                             |
| AFEN  | CEN-Chip aktivieren aktiv hoch auf VCM-Treiber-IC       |
| <b>MIPI Schnittstelle</b>   |   |
| MDN0 DN0 MD0N DATA_N DMO1N  | MIPI 1st negative Ausgabe der Datenspur                 |
| MDP0 DP0 MD0P DATA_P DMO1P  | MIPI 1st positiver Ausgang der Datenspur                |
| MDN1 DN1 MD1N DATA2_N DMO2N   | MIPI 2nd negative Ausgabe der Datenspur                 |
| MDP1 DP1 MD1P DATA2_P DMO2P   | MIPI 2nd positiver Ausgang der Datenspur                |
| MDN2 DN2 MD2N DATA3_N DMO3N   | MIPI 3rd negative Ausgabe der Datenspur                 |
| MDP2 DP2 MD2P DATA3_P DMO3P   | MIPI 3rd positiver Ausgang der Datenspur                |
| MDN3 DN3 MD3N DATA4_N DMO4N   | MIPI 4th negative Ausgabe der Datenspur                 |
| MDP3 DP3 MD3P DATA4_P DMO4P   | MIPI 4th positiver Ausgang der Datenspur                |
| MCN CLKN CLK_N DCKN   | MIPI Uhr negativer Ausgang                              |
| MCP CLKP MCP CLK_P DCKN   | MIPI Takt positiver Ausgang                             |
| <b>DVP Parallel Schnittstelle</b>   |   |
| D0 DO0 Y0   | DVP Datenausgabeport 0                                  |
| D1 DO1 Y1   | DVP Datenausgabeport 1                                  |
| D2 DO2 Y2   | DVP Datenausgabeport 2                                  |
| D3 DO3 Y3   | DVP Datenausgabeport 3                                  |
| D4 DO4 Y4   | DVP Datenausgabeport 4                                  |
| D5 DO5 Y5   | DVP Datenausgabeport 5                                  |
| D6 DO6 Y6   | DVP Datenausgabeport 6                                  |
| D7 DO7 Y7   | DVP Datenausgabeport 7                                  |
| D8 DO8 Y8   | DVP Datenausgabeport 8                                  |
| D9 DO9 Y9   | DVP Datenausgabeport 9                                  |
| D10 DO10 Y10  | DVP Datenausgabeport 10                                 |
| D11 DO11 Y11  | DVP Datenausgabeport 11                                 |

## Kamera-Zuverlässigkeitstest

| Reliability Inspection Item |                                    | Testmethode   | Akzeptanzkriterium        |                           |
|-----------------------------|------------------------------------|---|---------------------------|---------------------------|
| Kategorie                   | Artikel                            |   |                           |                           |
| Umwelt                      | Lager Temperatur                   | Hoch 60°C 96 Std  | Temperaturkammer          | Keine anormale Situation  |
|                             |                                    | Niedrig -20°C 96 Std  | Temperaturkammer          | Keine anormale Situation  |
|                             | Betriebs Temperatur                | Hoch 60°C 24 Std  | Temperaturkammer          | Keine anormale Situation  |
|                             |                                    | Niedrig -20°C 24 Std  | Temperaturkammer          | Keine anormale Situation  |
|                             | Feuchtigkeit                       | 60°C 80% 24 Std   | Temperaturkammer          | Keine anormale Situation  |
|                             | Thermischer Schock                 | Hoch 60°C 0.5 Std<br>Niedrig -20°C 0.5 Std<br>Radfahren rein 24 Std | Temperaturkammer          | Keine anormale Situation  |
| Physisch                    | Falltest (Im freien Fall)          | Ohne Verpackung 60cm  | 10 Mal auf Holzboden      | Elektrisch funktionsfähig |
|                             |                                    | Mit Paket 60cm  | 10 Mal auf Holzboden      | Elektrisch funktionsfähig |
|                             | Vibrations Test                    | 50Hz X-Axis 2mm 30 Minuten  | Vibrationstisch           | Elektrisch funktionsfähig |
|                             |                                    | 50Hz Y-Axis 2mm 30 Minuten  | Vibrationstisch           | Elektrisch funktionsfähig |
|                             |                                    | 50Hz Z-Axis 2mm 30 Minuten  | Vibrationstisch           | Elektrisch funktionsfähig |
|                             | Zugfestigkeit des Kabels Krafttest | Gewicht laden 4 kg<br>60 Sekunden<br>Radfahren rein 24 Std          | Zugprüfmaschine           | Elektrisch funktionsfähig |
| Elektrisch                  | ESD-Test                           | Kontaktaufnahme 2 KV  | ESD-Prüfmaschine          | Elektrisch funktionsfähig |
|                             |                                    | Luftentladung 4 KV  | ESD-Prüfmaschine          | Elektrisch funktionsfähig |
|                             | Alterungstest                      | On/Off 30 Sekunden<br>Radfahren rein 24 Std                         | Stromschalter             | Elektrisch funktionsfähig |
|                             | USB-Anschluss                      | On/Off 250 Mal  | Einstecken und ausstecken | Elektrisch funktionsfähig |





| Inspektionsgegenstand |              | Untersuchungsmethode     | Inspektionsstandard         |   |
|-----------------------|--------------|--------------------------|-----------------------------|---|
| Kategorie             | Artikel      |                          |                             |   |
| Aussehen              | FPC oder PCB | Farbe                    | Das bloße Auge              | Größere Unterschiede sind nicht zulässig.                           |
|                       |              | Zerrissen/gehackt werden | Das bloße Auge              | Das Freilegen von Kupferrissen ist nicht zulässig.                  |
|                       |              | Markierung               | Das bloße Auge              | Klar, erkennbar (innerhalb von 30 cm Entfernung)                    |
|                       | Halterin     | Kratzer                  | Das bloße Auge              | Die Freilegung von Rissen im Inneren ist nicht zulässig             |
|                       |              | Lücke                    | Das bloße Auge              | Erfüllen Sie den Höhenstandard                                      |
|                       |              | Schraube                 | Das bloße Auge              | Stellen Sie sicher, dass Schrauben vorhanden sind (falls vorhanden) |
|                       |              | Schaden                  | Das bloße Auge              | Die Freilegung von Rissen im Inneren ist nicht zulässig             |
|                       | Linse        | Kratzen                  | Das bloße Auge              | Keine Auswirkung auf den Auflösungsstandard                         |
|                       |              | Kontamination            | Das bloße Auge              | Keine Auswirkung auf den Auflösungsstandard                         |
|                       |              | Ölfilm                   | Das bloße Auge              | Keine Auswirkung auf den Auflösungsstandard                         |
|                       |              | Abdeckband               | Das bloße Auge              | Kein Problem beim Aussehen.   |
|                       | Funktion     | Bild                     | Keine Kommunikation         | Testboard   |
| Helles Pixel          |              |                          | Tafel                       | Im Image Center nicht erlaubt                                       |
| Dunkles Pixel         |              |                          | Weißer Tafel                | Im Image Center nicht erlaubt                                       |
| Verschwommen          |              |                          | Das bloße Auge              | Nicht erlaubt   |
| Kein Bild             |              |                          | Das bloße Auge              | Nicht erlaubt   |
| Vertikale Linie       |              |                          | Das bloße Auge              | Nicht erlaubt   |
| Horizontale Linie     |              |                          | Das bloße Auge              | Nicht erlaubt   |
| Kleines Leck          |              |                          | Das bloße Auge              | Nicht erlaubt   |
| Blinkendes Bild       |              |                          | Das bloße Auge              | Nicht erlaubt   |
| Prellung              |              |                          | Inspektionslehre            | Nicht erlaubt   |
| Auflösung             |              |                          | Diagramm                    | Folgt dem Diagrammstandard für ausgehende Inspektionen              |
| Farbe                 |              |                          | Das bloße Auge              | Kein Problem  |
| Lärm                  |              |                          | Das bloße Auge              | Nicht erlaubt   |
| Ecke dunkel           |              |                          | Das bloße Auge              | Weniger als 100 x 100 Pixel   |
| Farbauflösung         |              |                          | Das bloße Auge              | Kein Problem  |
| Abmessungen           | Höhe         | Das bloße Auge           | Follows Approval Data Sheet |   |
|                       | Breite       | Das bloße Auge           | Follows Approval Data Sheet |   |
|                       | Länge        | Das bloße Auge           | Follows Approval Data Sheet |   |
|                       | Gesamt       | Das bloße Auge           | Follows Approval Data Sheet |   |



## KLT-Paketlösungen

KLT Kameramodul



Komplett mit Linsenschutzfolie



Tablett mit Gitter und Raum



Legen Sie die Kameras auf das Tablett



## Paketlösung für Kameramodule

Volles Tablett mit Kameras



Abdeckschale mit Deckel



In Antistatikbeutel stecken



Staubsaugen Sie den antistatischen Beutel





## Paketlösung für Kameramodule

Versiegelter Vakuumbbeutel mit Etiketten

1. Modell und Beschreibung 2. Menge 3. Versanddatum 4. Achtung





## Paketlösung für große Bestellungen

Schaumstoffplatten zwischen  
die Tablettts legen



Schaumstoffplatten sind etwas  
größer als Tablettts



Legen Sie Schaumstoffplatten und  
Tablettts in die Schachtel



Schaumstoffplatten sind eng anliegende Box





## Paketlösung für kleine Bestellungen

Legen Sie die Schaumstoffplatten und  
Tablets in die kleine Schachtel



Schaumstoffplatten passen gut in  
die kleine Box



Paket in kleiner Box für den Versand



Legen Sie kleine Kartons in größere Kartons





## Carbon Box Paketlösung

Verschließen Sie die Carbonbox

Beschriftete Schachtel mit Endverpackung



### Versandfertige Karbonbox

1. Lieferadresse und Telefonnummer
2. Box-Nr. und Versanddatum
3. Zerbrechliche Vorsicht



## Lösung für Musterbestellungspakete

Legen Sie die Probe in einen kleinen antistatischen Beutel



Stecken Sie die Anschlüsse in den kleinen antistatischen Beutel



### Musteretiketten auf dem kleinen Beutel

1. Kameramodul oder Anschlussmodell 2. Lieferdatum und Menge 3. Achtung





## Connectors Large Order Package Solution

Steckverbinder in einem Rad



Steckverbinder im Rad beschriften



Das Rad passt perfekt in die Box



Steckerbox versandfertig



**Unternehmen Kai Lap Technologies (KLT)**

Kai Lap Technologies Group Limited. (KLT) wurde 2009 gegründet und ist ein technologiegetriebener Hersteller der nächsten Generation, der sich auf Forschung, Design und Produktion von Audio- und Videoprodukten spezialisiert hat. KLT verfügt über 20.000 Quadratfuß automatisierte Fabriken mit 100 Mitarbeitern und einem jährlichen Durchsatz von 30.000.000 Kameraeinheiten.

KLT bietet OEM-, ODM-Design, Auftragsfertigung und baut die Kameraprodukte. Sie können uns die Anforderungen auch mit einem Handentwurf übermitteln, unser Vertrieb und unsere Technik arbeiten zusammen, um Ihre Anforderungen zu erfüllen. Wir verstehen uns als Ihr langfristiger Partner bei der Entwicklung praktischer und innovativer Lösungen.

Unser Team deckt alles von der ersten Konzeptentwicklung bis zum Massenprodukt ab. KLT ist spezialisiert auf kundenspezifisches Kameradesign, Rohmaterial, Elektrotechnik, Firmware-/Softwareentwicklung, Produkttests und Verpackungsdesign. Unsere erfahrenen strategischen Versorgungssysteme bieten eine robuste und zuverlässige Fertigungskapazität für Aufträge unterschiedlicher Größe.

**Eingeschränkte Garantie**

KLT gewährt die folgende eingeschränkte Garantie, wenn Sie das/die Produkt(e) direkt von der Firma KLT oder von der Website von KLT, [www.KaiLapTech.com](http://www.KaiLapTech.com), gekauft haben. Produkte, die von anderen Verkäufern oder Quellen gekauft wurden, fallen nicht unter diese beschränkte Garantie. KLT garantiert, dass das/die Produkt(e) bei normalem Gebrauch für einen Zeitraum von einem (1) Jahr ab dem Datum, an dem Sie das Produkt erhalten („Garanzzeitraum“), frei von Material- und Verarbeitungsfehlern sind.

Für alle Produkte, die während des Garanzzeitraums Material- oder Verarbeitungsfehler enthalten oder entwickeln, wird KLT nach eigenem Ermessen entweder: (i) die Produkte reparieren; (ii) das/die Produkt(e) durch ein neues oder generalüberholtes Produkt(e) ersetzen (Ersatzprodukt(e) sind von identischem Modell oder funktionell gleichwertig); oder (iii) Ihnen den Preis erstatten, den Sie für das/die Produkt(e) gezahlt haben.

Diese eingeschränkte Garantie von KLT ist ausschließlich auf Reparatur und/oder Ersatz zu den oben genannten Bedingungen beschränkt. KLT ist nicht zuverlässig oder verantwortlich für nachfolgende Ereignisse.





*your BEST camera module partner*

## KLT Stärke

Leistungsstarke Fabrik



## Professioneller Service



## Versprochene Lieferung

